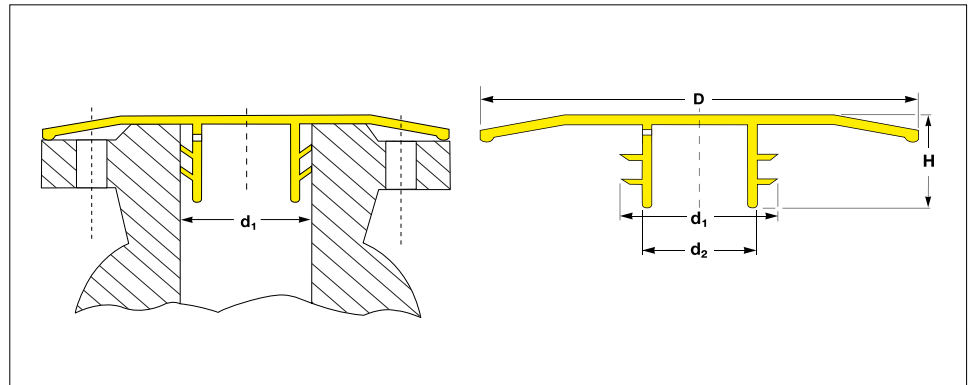


# Push-In Full-Face Flange Protectors, DN 10 – DN 450

The Original. The most universal Push-In Protectors in the market  
 Low cost full face flange protection with flexible fins, which ensure a snug fit into bores. Per size – these protectors can be used on a variety of classifications



**NEW! DN 350 - ANSI 14"**  
**Best Fit Design** **NEW**

**EN 12351-A.3**  
**DIN 3443, Form A**  
**BASF WN 14-150, A**

All dimensions in mm

**Material :**  
 LLD-PE,  
 linear low density polyethylene

**Standard Colour :**  
 yellow

**The Original**  
 These low cost full face flange protectors are the most universal in the market. Hi-Flexx Ribs ensure a tight fit into the center bore. Can be used on a variety of different sized flanges and flange classifications.

Think Plastic. Go Protec.®



Dimensions Nom Ø	Dimensions				Standard Pack	Reference No.	
	Ø D	Ø d <sub>1</sub>	Ø d <sub>2</sub>	H			
DN 10	.3/8	86.0	13.7	7.00	15.0	1.000	EP 305 / DN 10 HF
DN 15	.1/2	90.0	19.0	9.00	15.0	1.000	EP 305 / DN 15 HF
DN 20	.3/4	101.0	24.0	14.40	20.0	700	EP 305 / DN 20 HF
DN 25	1.	110.0	30.0	18.00	20.0	500	EP 305 / DN 25 HF
DN 32	1.1/4	136.0	39.0	22.27	20.0	300	EP 305 / DN 32 HF
DN 40	1.1/2	146.0	45.0	30.00	20.0	250	EP 305 / DN 40 HF
DN 50	2.	160.0	56.0	40.10	20.0	200	EP 305 / DN 50 HF
DN 65	2.1/2	180.0	72.0	53.40	20.0	200	EP 305 / DN 65 HF
DN 80	3.	196.0	85.0	67.60	25.0	150	EP 305 / DN 80 HF
DN 100	4.	216.0	109.0	88.60	25.0	100	EP 305 / DN 100 HF
DN 125	5.	247.7	134.0	110.20	25.0	75	EP 305 / DN 125
DN 150	6.	283.0	161.0	135.69	35.0	40	EP 305 / DN 150
DN 200	8.	337.0	211.0	188.60	41.3	40	EP 305 / DN 200
DN 250	10.	390.0	262.0	243.80	41.0	28	EP 305 / DN 250
DN 300	12."	450.0	318.0	280.90	48.0	20	EP 305 / DN 300
DN 350	14."	505.0	355.0	286.00	62.0	10	EP 305 / DN 350 HF
DN 400	16.	586.0	410.0	351.00	62.0	10	EP 305 / DN 400 HF
DN 450	18.	540.0	447.0	387.00	46.0	15	EP 305 / DN 450

NEW  
 NEW  
 NEW  
 NEW  
 NEW  
 NEW  
 NEW  
 NEW  
 NEW

NEW  
 NEW

Should your requirements not be shown please ask for a separate quotation.  
 PROTEC products and specifications are subject to improvement and change without notice.

# Push-In Full-Face Flange Protectors, DN 10 – DN 450

The Original. The most universal Push-In Protectors in the market  
 Low cost full face flange protection with flexible fins, which ensure a snug fit into bores  
 Per size – these protectors can be used on a variety of classifications

## TRIPLE ADVANTAGE of PROTEC CAPTOP®

**QUALITY.** Suitable for both imperial (ANSI) and metric (DIN) flanges to specifications DN 2627 - 2638, 150, BS 5504 and ANSIB16,5. The most versatile and universal flange protector on the market. Its unique design allows the protection of an array of different size flanges, as well as other various classifications of flanges, with one part.

**AVAILABILITY.** With over 400 million moulded components shipped from our Oststeinbek / Hamburg logistics center we provide the fastest on time delivery service to all markets and industries.

**PHILOSOPHY.** Innovative protective closures at the best price in the market.



CAPTOP®

**NEW! HF Hi-Flexx® Ribbs**

**NEW! DN 350 - ANSI 14"**  
**Best Fit Design NEW**

**DN 350**  
**DN 400**  
**DN 450**

### Example of application

All dimensions in mm

Dimensions Nom Ø	d <sub>1</sub>		Reference No.	DIN 2627 – 26 38 / BS 4504							ANSI B 16.5 / BS 1560							
	min.	max.		PN 10-16	PN 25-40	PN 64	PN 100	PN 160	PN 250	PN 300	PN 400	Cl. 150-300	Cl. 400	Cl. 600	Cl. 900	Cl. 1500	Cl. 2500	
DN 10	.3/8"	9.0	13.6	EP 305 / DN 10 HF														
DN 15	.1/2"	12.5	17.3	EP 305 / DN 15 HF														
DN 20	.3/4"	17.5	22.3	EP 305 / DN 20 HF														
DN 25	1."	21.5	28.5	EP 305 / DN 25 HF	i. Ø Flange = d2 / d2 = nom. bore							i. Ø Flange = d2 / d2 = nom. bore						
DN 32	1.1/4"	28.5	37.2	EP 305 / DN 32 HF														
DN 40	1.1/2"	37.0	43.1	EP 305 / DN 40 HF														
DN 50	2."	47.5	54.5	EP 305 / DN 50 HF														
DN 65	2.1/2"	63.5	70.3	EP 305 / DN 65 HF														
DN 80	3."	76.0	82.5	EP 305 / DN 80 HF														
DN 100	4."	97.0	107.1	EP 305 / DN 100 HF														
DN 125	5."	118.0	131.7	EP 305 / DN 125														
DN 150	6."	148.0	159.3	EP 305 / DN 150														
DN 200	8."	184.0	208.0	EP 305 / DN 200														
DN 250	10."	238.0	260.4	EP 305 / DN 250														
DN 300	12."	285.0	315.0	EP 305 / DN 300														
DN 350	14."	303.0	352.0	EP 305 / DN 350 HF														
DN 400	16."	355.0	408.0	EP 305 / DN 400 HF														
DN 450	18."	394.0	444.0	EP 305 / DN 450														

Should your requirements not be shown please ask for a separate quotation.  
 PROTEC products and specifications are subject to improvement and change without notice.

**EN 12351-A.3**  
**DIN 3443, Form A**  
**BASF WN 14-150, A**

**Material :**  
 LLD-PE,  
 linear low density polyethylene

**Standard Colour :**  
 yellow

**Individual Productions :**  
 On request we develop and produce individually tailored solutions next to the standard items of this range: additional dimensions, different materials and new colours

We would be pleased to advise you.

Think Plastic. Go Protec.®

**PROTEC**  
**PLASTICS**